



The brighter way to insulate



Installation Examples for TLX Silver



BBA Certified Product

Nbs3 TLX 11.03.2010
The texts, photographs and illustrations used in this publication have been reproduced with kind permission of Web Dynamics Limited.

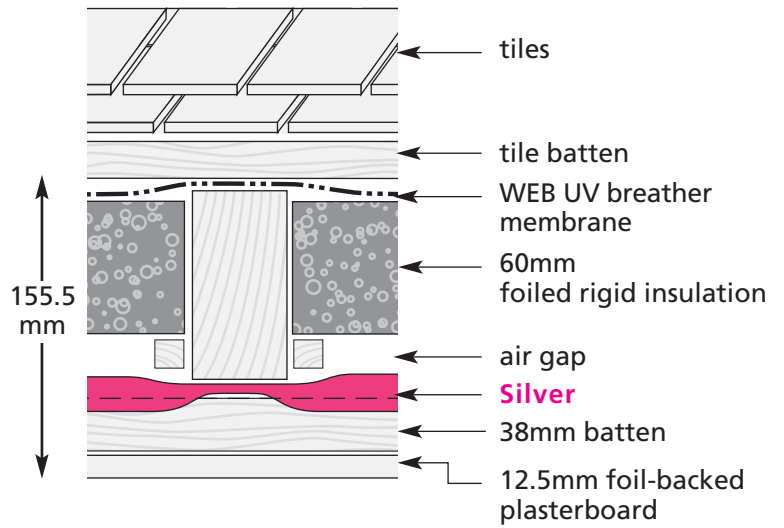
This publication is issued subject to alteration or withdrawal without notice. The illustrations and specifications are not binding in detail. All offers are subject to the Company's current terms and conditions of sale, a copy of which is available on request

TLX Silver insulation is conveniently available from:

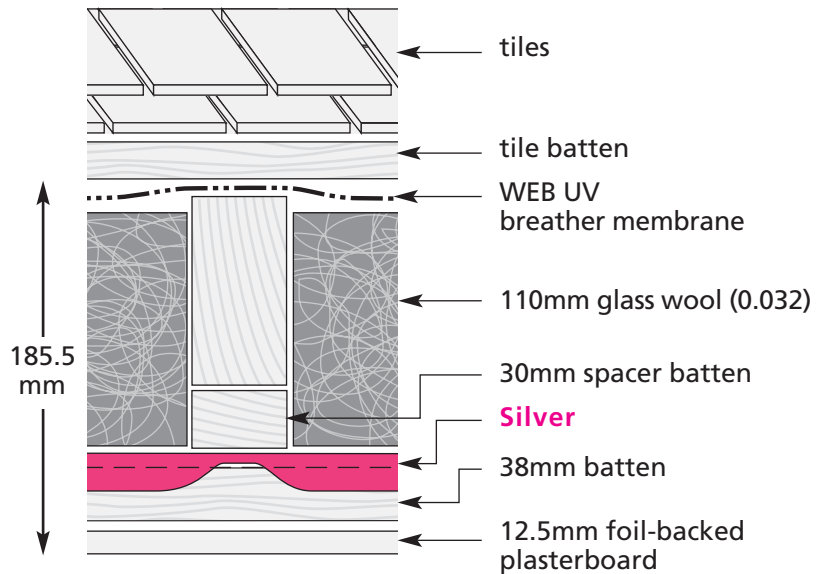
nationwide
build
shop limited www.nbs-home.co.uk

100mm rafter 0.2 solutions

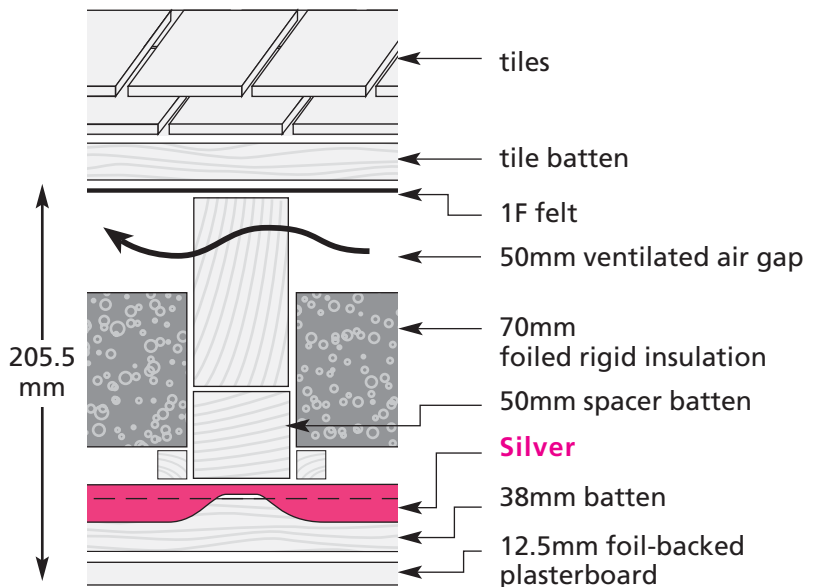
A Below rafter + 60mm foiled rigid insulation



B Below rafter + 110mm glass wool

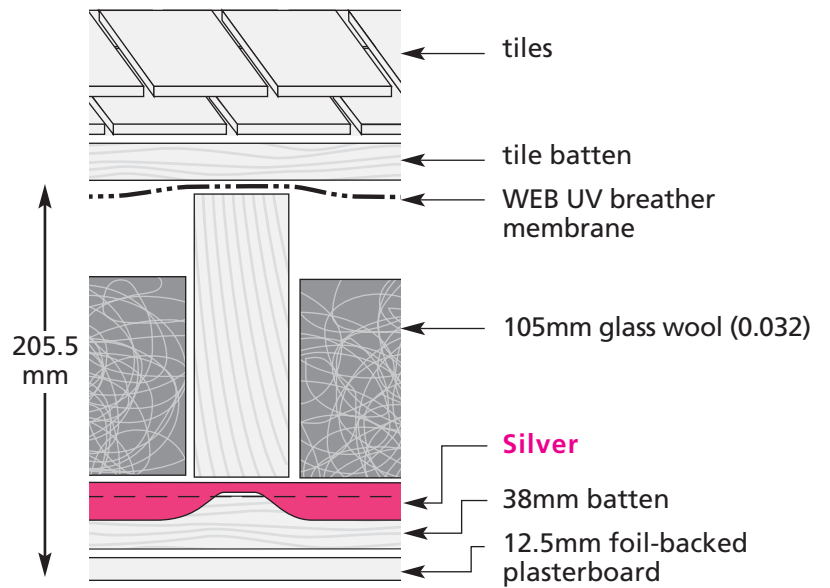


C Below rafter + 70mm foiled rigid insulation

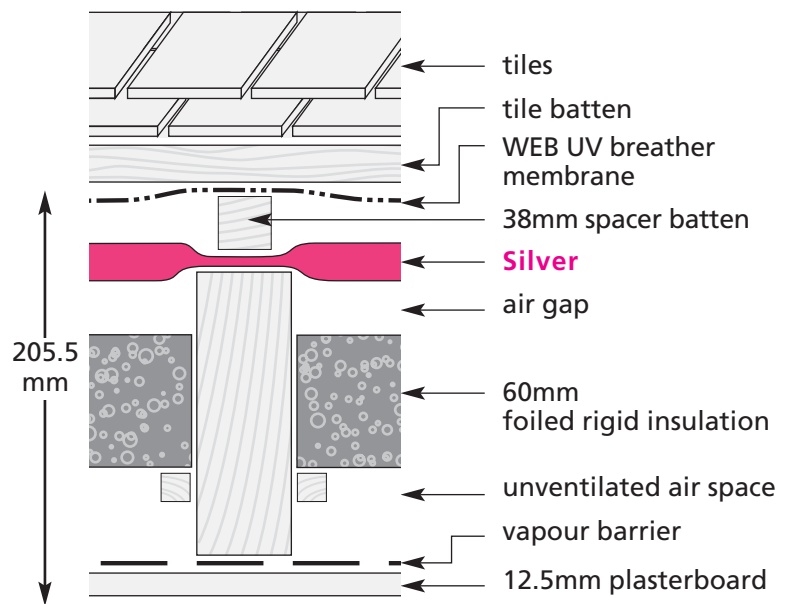


150mm rafter 0.2 solutions

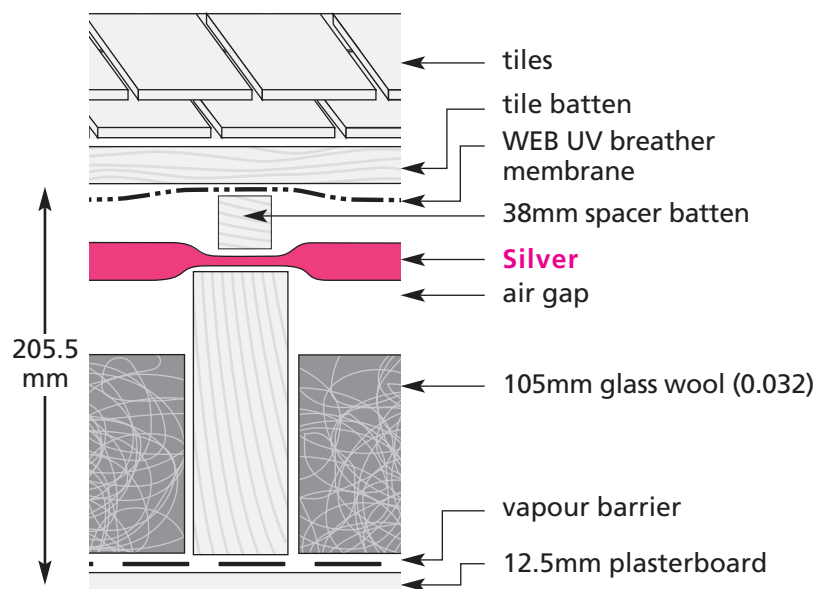
D Below rafter + 105mm glass wool



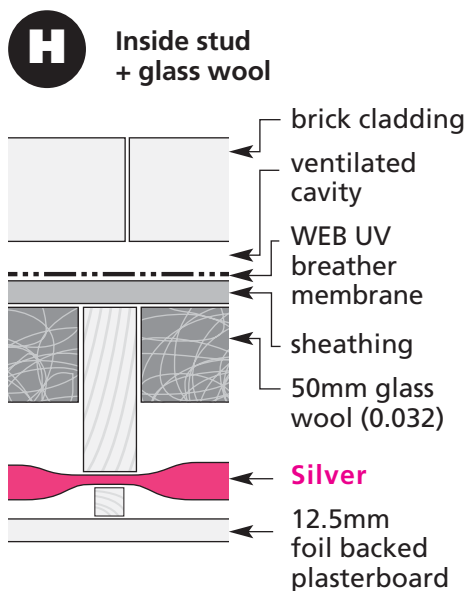
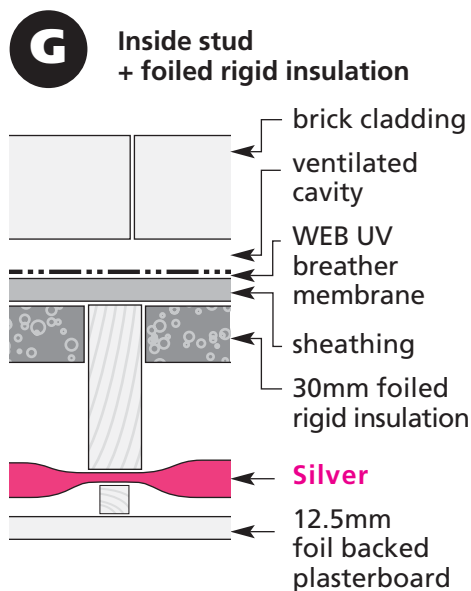
E Above rafter + 60mm foiled rigid insulation



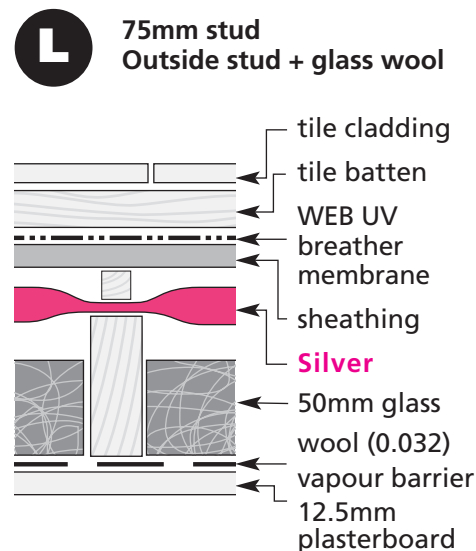
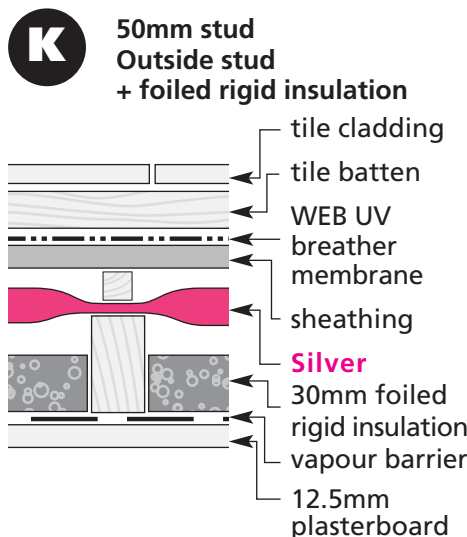
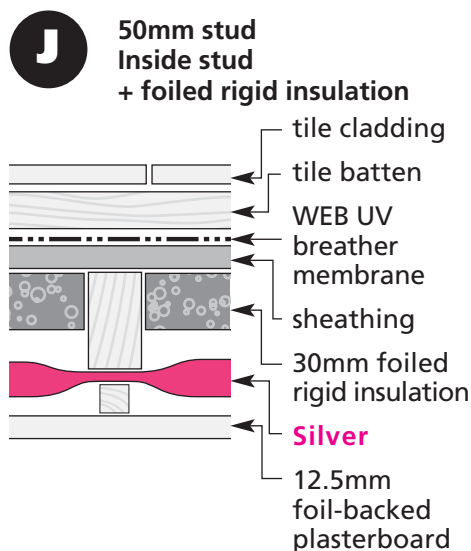
F Above rafter + 105mm glass wool



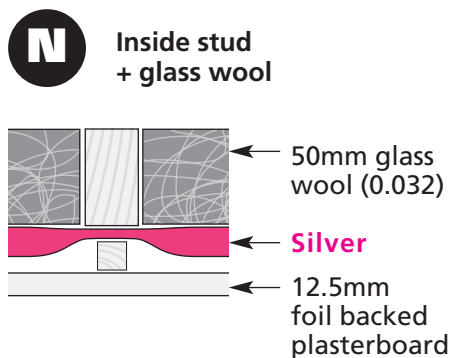
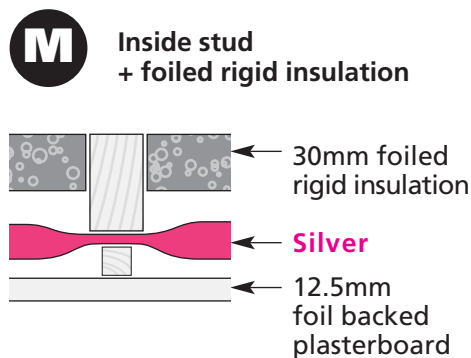
Timber frame 90mm stud wall 0.3 solutions



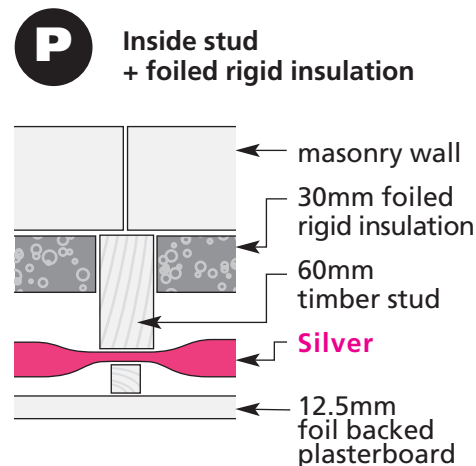
Loft conversion solutions – dormer cheek



Loft conversion solutions – dwarf wall



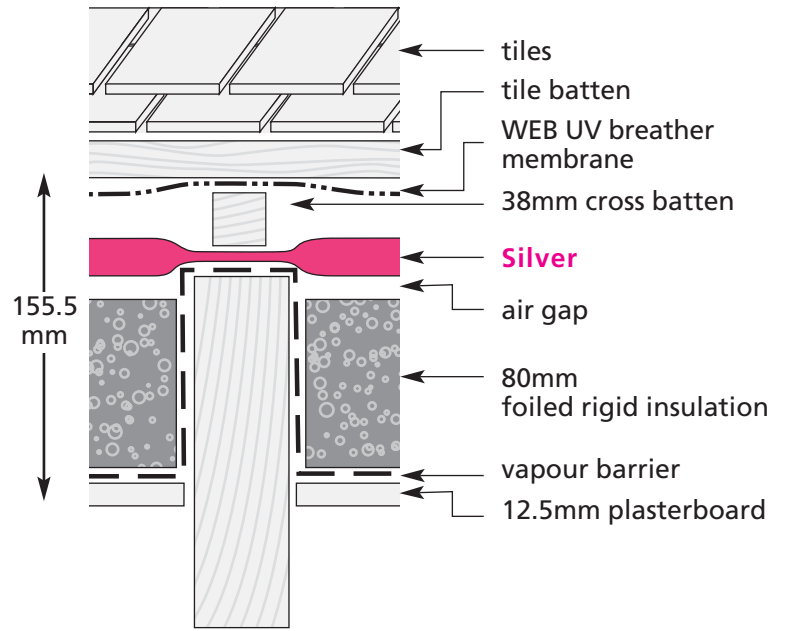
Solid masonry wall



Barn conversion 0.2 solutions

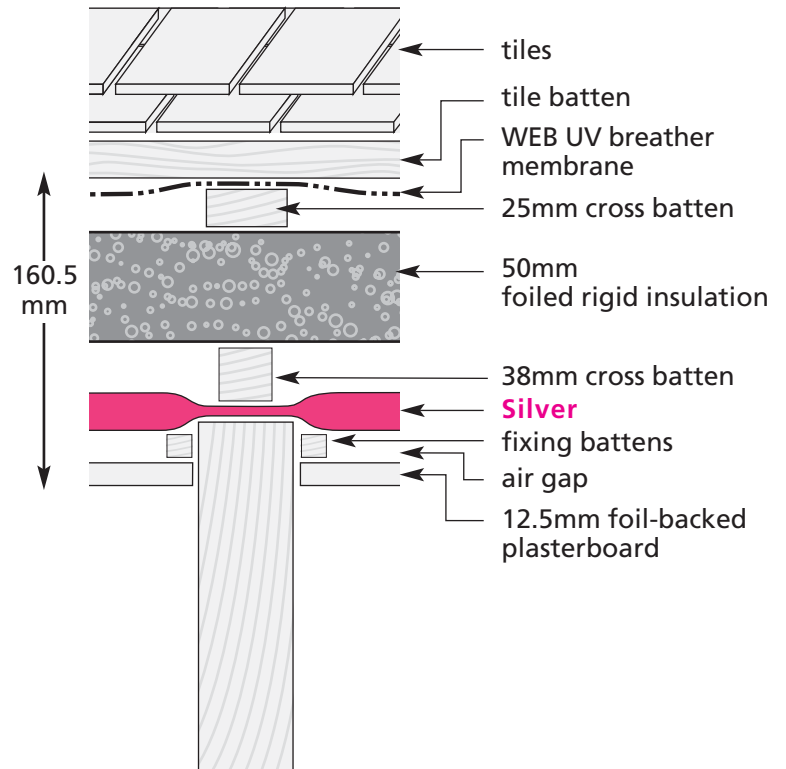
Q

Semi-exposed rafter + 80mm foiled rigid insulation



S

Fully-exposed rafter + 50mm foiled rigid insulation



Optimising internal living space

L1B states that: "Practical considerations with respect to an increase in structural thickness (particularly in terraced dwellings) may necessitate a lower performance target."

These solutions give U-values of 0.2 and 0.3 W/m²K for typical roof and walls respectively. Please contact the thermal hotline and we will provide a customised U-value for your own particular structure, or advice about using different thicknesses.

Contact the thermal hotline 01204 674 730 for technical advice

GENERAL INSTRUCTIONS

- Protective clothing is not required when handling Silver.
- Silver may be installed either way up.
- Bare electrical wiring must not be allowed in contact with Silver. PVC coated electrical wiring to normal domestic items such as light fittings may come into contact with Silver.
- If electrical cables are surrounded by insulation they may need to be de-rated and guidance should be sought from a qualified electrician

INSTALLATION PROCEDURE

- Silver is unrolled above or below the rafters in horizontal layers, parallel to the eaves. The product should be installed from ridge to eaves, and over- or under-lapped to ensure that any water inside the rafter space runs down and does not penetrate the insulation or the rafter space. As the Silver is unrolled across the rafters it is fixed in place using nails or staples of at least 14mm depth. The next roll of Silver must overlap the preceding layer by at least 50mm, and the overlap should be sealed along the entire length using the specified adhesive tape.
- When installing Silver, try to retain the full width (with two seams) whenever possible. For the bottom layer, it is better to use a complete layer, and increase the overlap with the next layer up, rather than cutting along the Silver to maintain a 50mm overlap.
- Silver should be permanently held in place using wooden battens fixed with nails. Battens may run either parallel or perpendicular to the rafters.
- Plasterboard is fixed to the battens. If insulation material such as glass wool rests directly on the plasterboard, a standard plasterboard is acceptable. If insulation material such as foiled rigid insulation is separated from plasterboard by an air layer then foil-backed plasterboard should be used.
- A breathable roofing membrane is fitted above the rafters following the manufacturer's instructions. Tiling battens and tiles are then fitted.

CUTTING

- Silver can be cut using a sharp knife with the Silver resting on a board, or with scissors. When cutting Silver, always retain as much of the welded seam as possible. Where Silver has been cut and the layers are exposed, the cut edge should be taped together.
- Pieces which have been cut should be stapled and battened as soon as possible, and should not be left only partially secured overnight.
- Awkward shapes (such as triangular pieces for dormer cheeks) should be taped up, stapled and battened immediately.
- Any tears or holes should be repaired with the specified adhesive tape.

TAPING

- It is important that Silver is securely taped at overlaps and junctions with walls or windows. TLX tape or Henkel All-Purpose Silver Duck tape are recommended as a suitable tape. Other tapes should not be used unless they have been shown to have equivalent bonding to Duck tape.
- Silver must always be taped together when the surfaces are clean and dry.

AIR LAYERS

- Unventilated air layers form an important part of the Silver Insulation System. If the air spaces are omitted, whilst there is no danger of condensation, the overall thermal performance of the structure will decrease, and the U value will be higher. Additional insulation may be needed to achieve the desired U-value for the roof.

ADDITIONAL INSULATION

- Install additional insulation according to the manufacturers' instructions.
- Provide for air gaps between additional installation and Silver as instructed.

STORAGE

- Silver rolls must be stored on a flat dry surface, protected from the weather and direct sunlight.
- Make sure when installing Silver that it does not come into contact with heat sources above 80°C.

VAPOUR CONTROL AND VENTILATION

- Where Silver is fitted below rafters it also performs as an effective vapour barrier, preventing water vapour from the house from penetrating the roof structure and possibly condensing on a cold surface. No additional vapour barrier is required.
- Where Silver is fitted above rafters, then it is necessary to install an additional vapour barrier below the rafters. Foil-backed plasterboard where joints between boards are well sealed or 500 gauge (0.12mm) polythene sheet may be acceptable vapour barriers.
- Ventilation of the rafter space is not needed if a breathable roofing membrane has been used. If a non-breathable (or 1F type) membrane is in place, then a 50mm ventilated air space beneath the felt is required.
- Ventilation of the space between the membrane and the outer roof covering is not required for air-open coverings such as clay or concrete tiles and natural slates.
- If in any doubt about possible harmful condensation, contact Building Control for guidance.

ACHIEVING BETTER U-VALUES

- U-values lower than those given in the examples may be achieved by using a second layer of Silver, or a greater thickness of additional insulation.