

flexim® is a ready-to-use, storm-proof roof tile adhesive mortar that stays flexible

### Introduction

- Resists expansion
- Resists contraction
- Stays flexible even in cold conditions
- Never cracks
- Never falls out
- Stabilises loose tiles

Since its introduction on the European market in 1984, FLEXIM® has built a strong reputation throughout the world where it has been used on over two million buildings. Largely considered a breakthrough on the international market, FLEXIM received the Innovation Award in 1990.

FLEXIM adhesive mortar can be used for new construction, re-roofing, repairs and sealing on concrete, clay and other types of tile, including slate. FLEXIM is instantly waterproof. Being lightweight and pliable, FLEXIM will retain its shape and will not crack, break or slump like conventional cement based mortars.



**Traditional cement mortar expands, contracts then cracks, loosens and falls out!**

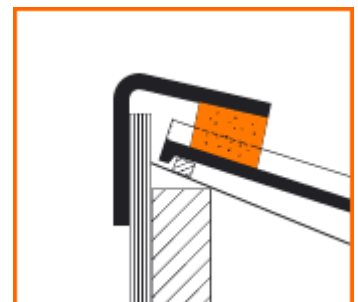
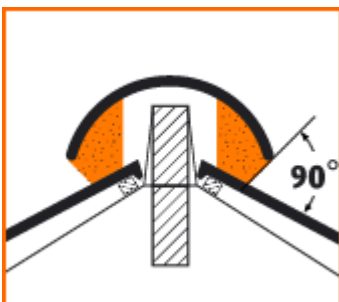
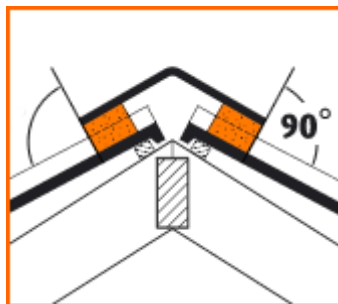
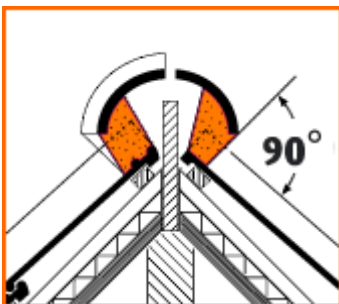
**FLEXIM adhesive mortar resists expansion and contraction, stays flexible, never cracks or loosens and never falls out**

FLEXIM's main application is to adhere and seal all perimeters on concrete, clay and slate roofs. However, FLEXIM can be used for instant repairs as well, for example, holding loose tiles in position – see above.

Using FLEXIM, attaching new ridge and hip tiles securely to old roofs is no longer a time consuming problem. Closing and waterproofing valleys with FLEXIM is done in minutes.

### Typical applications

- Installing ridge tiles
- Installing rakes and gables
- Sealing flashing to roof tiles
- Installing hip tiles
- Repairing loosened roof tiles
- Waterproof sealing of corrugated roofs
- Closing and sealing of valleys



## Testing and certification

FLEXIM's incredible bonding strength and resistance against the elements has been proven in several tests, performed by highly recognised test institutes in Europe and the US. Adhesion and elasticity tests, which included intensive weathering trials where conducted using several kinds of tile.

FLEXIM successfully passed the US Metro-Dade PA 100-95 protocol a wind driven rain test with simulated 178 km/h (110 MPH) winds! In the report (TNO Holland) it has been found, that the tensile strength of FLEXIM is 20.000 N/m<sup>2</sup>. This complies with NEN 6707/Bb.



**Miami Dade Approved**  
Report Number 00-0809.05



**SBCCI Approved**  
Report Number 9934

## Suitable for most climatic conditions experienced throughout the world



FLEXIM Headquarters

FLEXIM roof mortar is a reliable solution in most climate zones. That is why FLEXIM has been successful installed in buildings in temperate countries with their cold winters and warm summers. The product is also eminently suitable for tropical and sub-tropical climates where strong sunlight and high humidity is usual.

nbs1 FLEXIM STORMPROOF 08.3.11

The texts, photographs and illustrations used in this publication have been reproduced with kind permission of Flexim International BV

nationwide  
build  
shop

This publication is issued subject to alteration or withdrawal without notice. The illustrations and specifications are not binding in detail. All offers are subject to the Company's current terms and conditions of sale, a copy of which is available on request.