

flexim® is a ready-to-use, storm-proof roof tile adhesive mortar that stays flexible

Installation Guidelines

1 Remove the lightweight, ready-to-use FLEXIM strips from the packaging.



2 Apply FLEXIM to the top row of the tiles



3 Apply FLEXIM to the connecting edge of the existing ridge cap.



4 Press the ridge cap firmly down into the FLEXIM.



5 Trim off the excess FLEXIM and smooth out to an even finish.

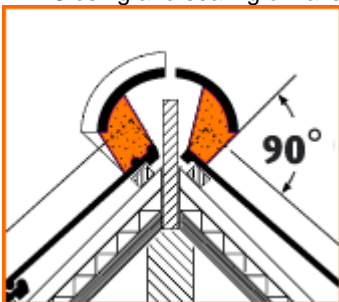


6 Storm-proof, Waterproof, Crack-proof!

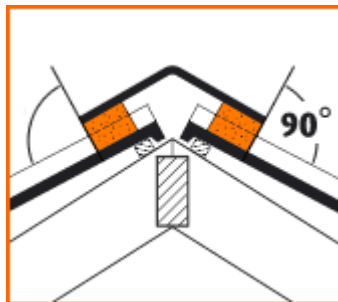


Some application details

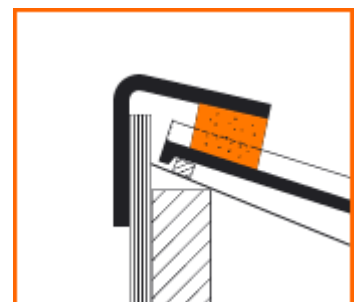
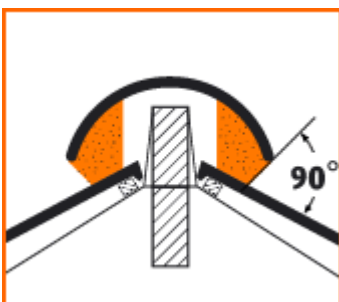
- Installing ridge tiles
- Installing hip tiles
- Closing and sealing of valleys



- Installing rakes and gable
- Repairing loosened roof tiles



- Sealing flashing to roof tiles
- Waterproof sealing of corrugated roofs



flexim® is a ready-to-use, storm-proof roof tile adhesive mortar that stays flexible

FLEXIM applications

- Installing ridge tiles
- Installing hip tiles
- Closing and sealing of valleys
- Installing rakes and gables
- Repairing loosened roof tiles
- Sealing flashing to roof tiles
- Waterproof sealing of corrugated roofs

